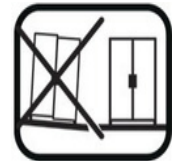
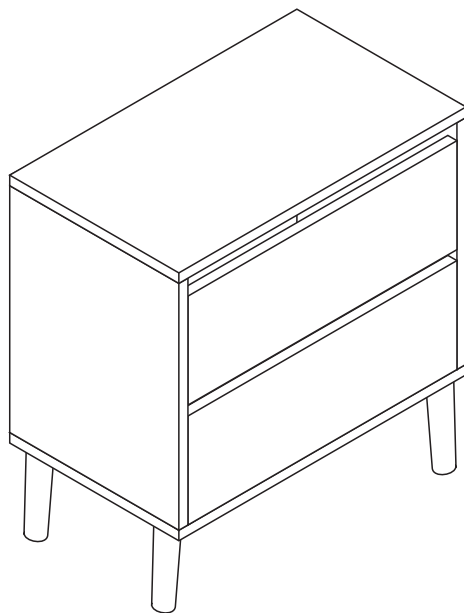


USSURI
OAK

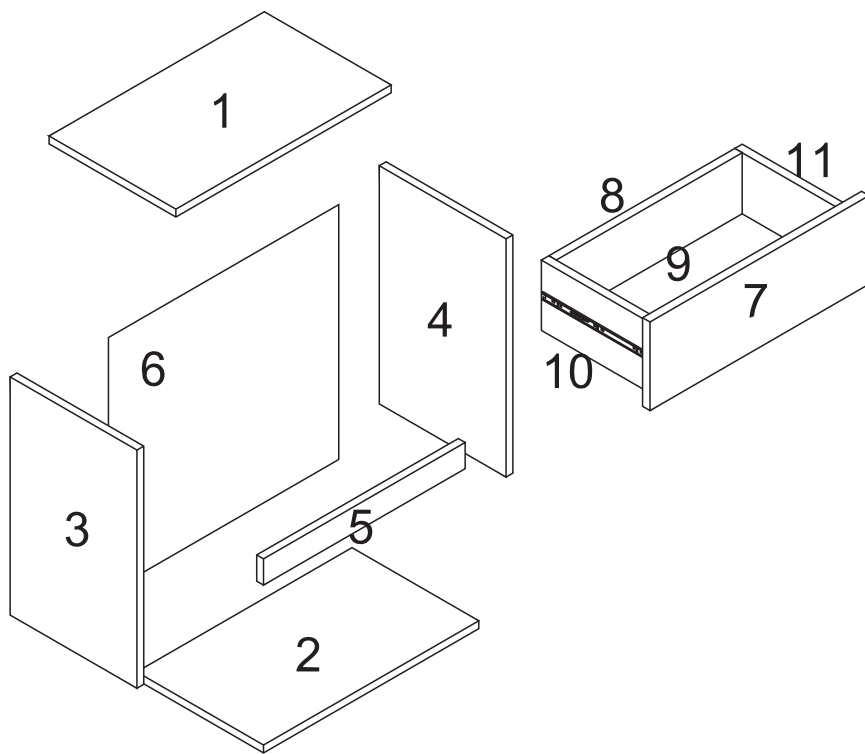
PRODUCT NAME

RENO 2 DRAW BED SIDE



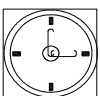
EN

1. Identify the parts which make up your piece of furniture.
 2. Gather the hardware parts and count them.
 3. Have the necessary assembly tools ready.
 4. Organize a space for assembly, wall carpeting or a blanket will protect the furniture against scratches.
 5. Never force the assembling while you put the parts together. You are recommended to tighten the screws after the furniture has been used for some time.
 6. After assembling this product, it is advisable to regularly ventilate the room for a few days.
- KEEP THE ASSEMBLY INSTRUCTION. THE RELEVANT INFORMATION YOU CAN FIND ON IT WILL HELP YOU GET IN TOUCH WITH YOUR STORE IF A PART WAS TO BE MISSING.



NO.	Size	Qty
1	450x400X18	1
2	450x400X18	1
3	329x398X18	1
4	329x398X18	1
5	412x60X18	1
6	422x339X3	1
7	406x145X18	2
8	351x80X18	2
9	361x342X3	2
10	350x80X18	2
11	350x80X18	2

<p>A</p> <p>41mm x18</p>	<p>B</p> <p>ø8x40mm x2</p>	<p>C</p> <p>ø3.5*16mm x48</p>	<p>D</p> <p>ø3.5*40mm x8</p>	<p>E</p> <p>250mm x4</p>
<p>F</p> <p>ø3*14mm x12</p>	<p>H</p> <p>x4</p>	<p>J</p> <p>x4</p>		



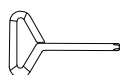
SET-UP TIME: 30 MINUTE



OUTILLAGE:
TOOLS:

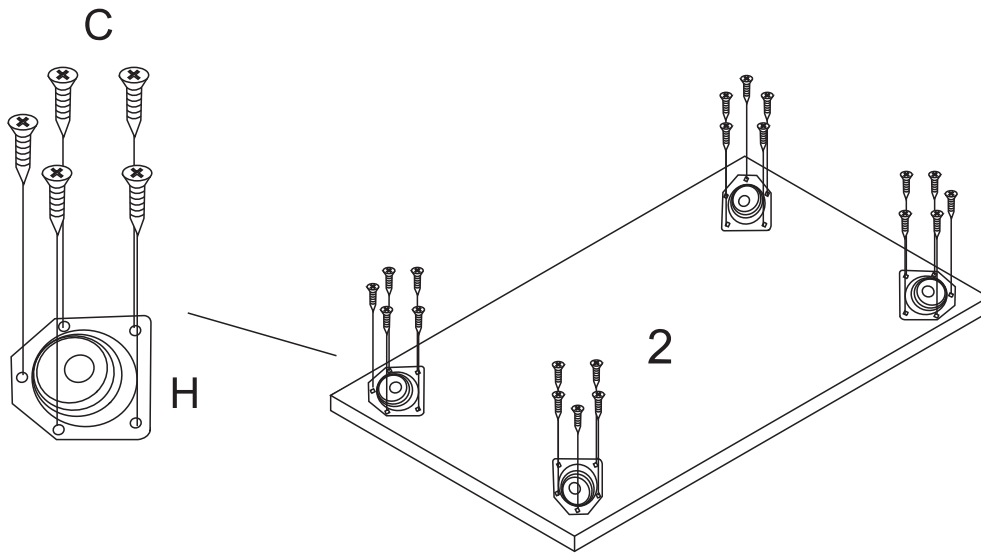


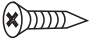
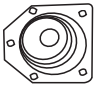
NUMBER OF PERSONS: 02



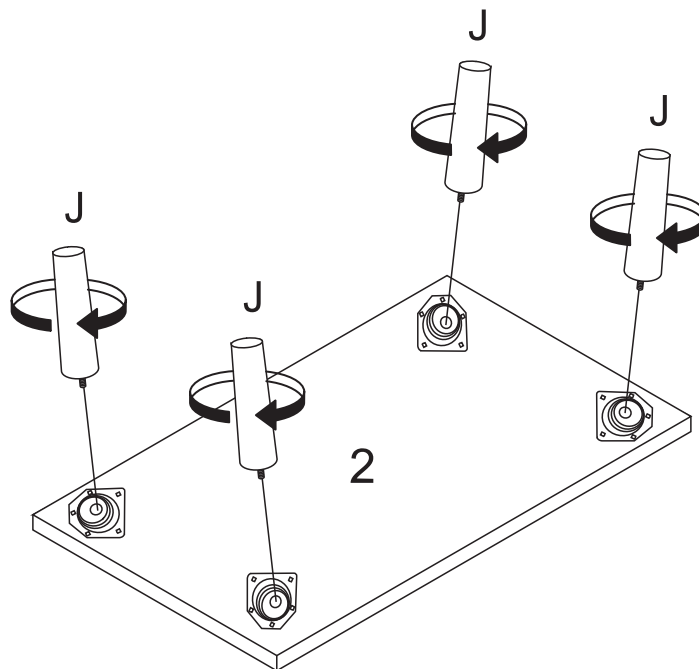
screw driver or drill


1



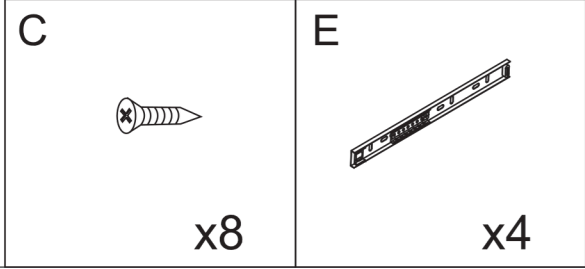
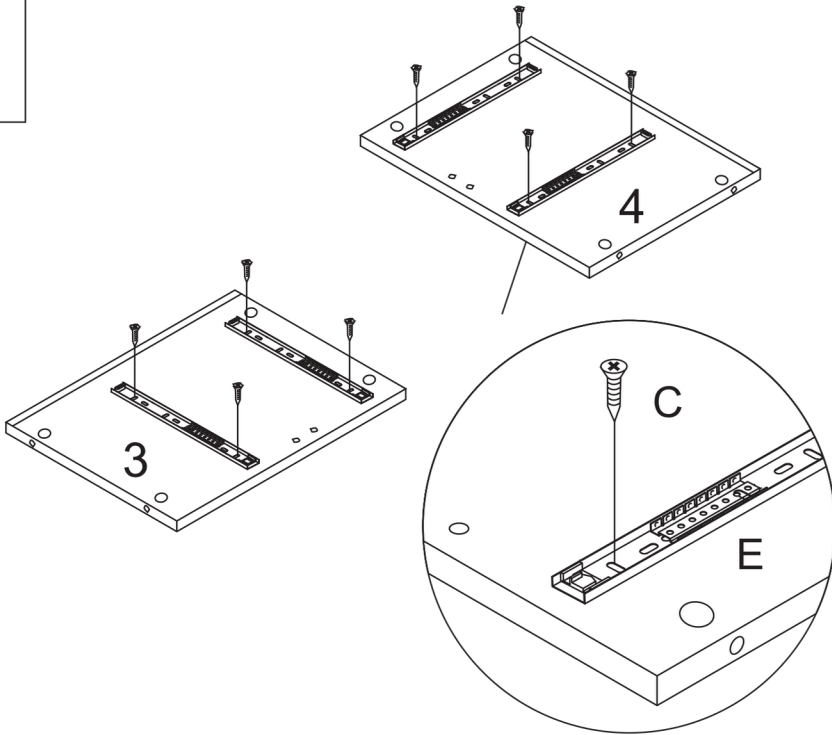
<p>C</p>  <p>x20</p>	<p>H</p>  <p>x4</p>
---	---

2



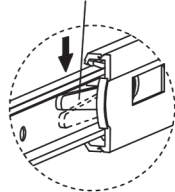
<p>J</p>  <p>x4</p>
--

3

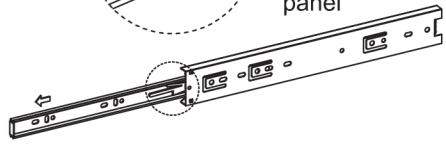


Slide instructions

Remove the control lock

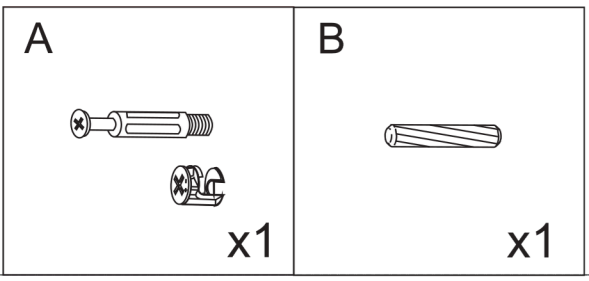
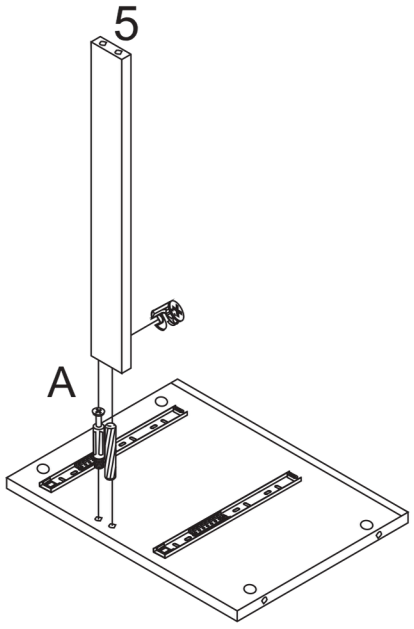


Fixed to side panel

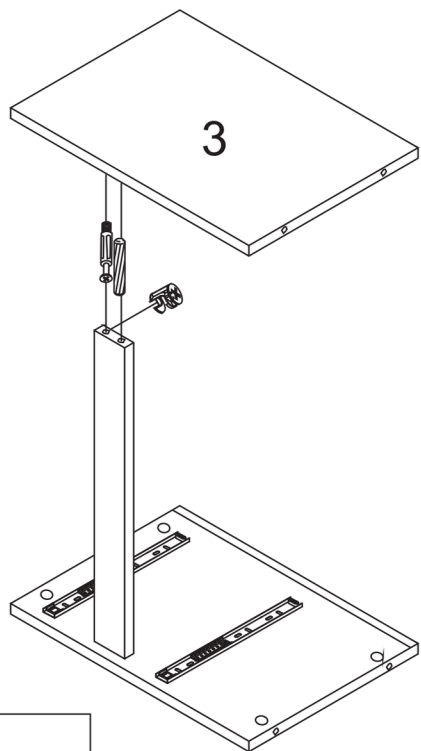


Fixed on the side of the drawer

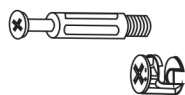
4



5



A



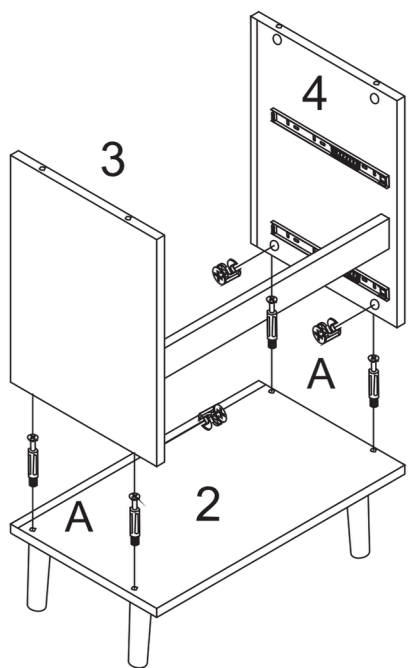
x1

B

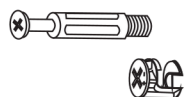


x1

6

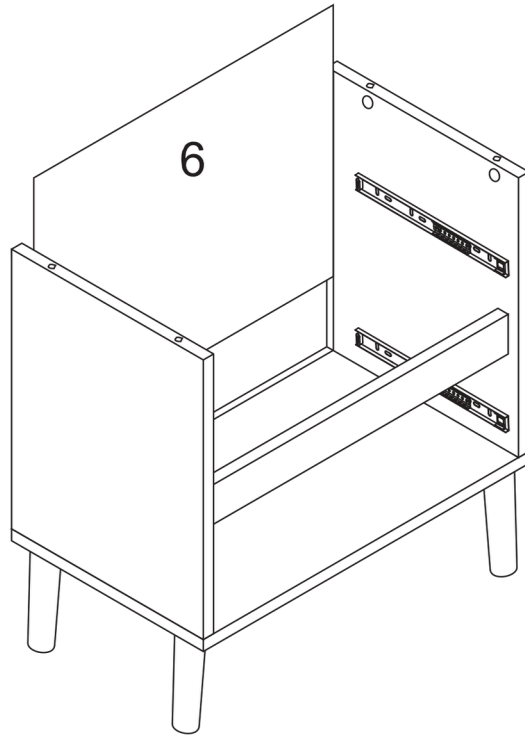


A

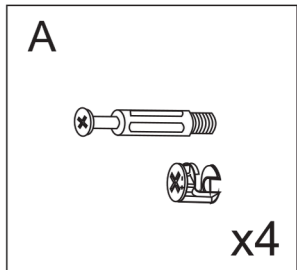
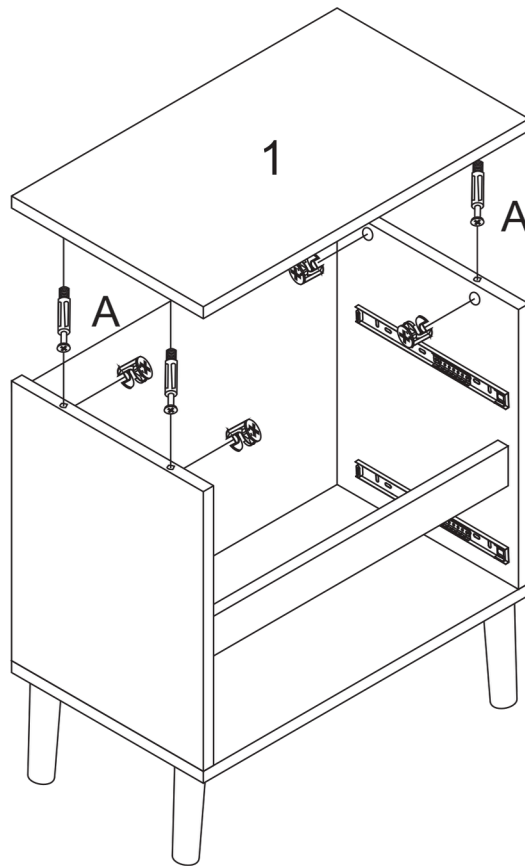


x4

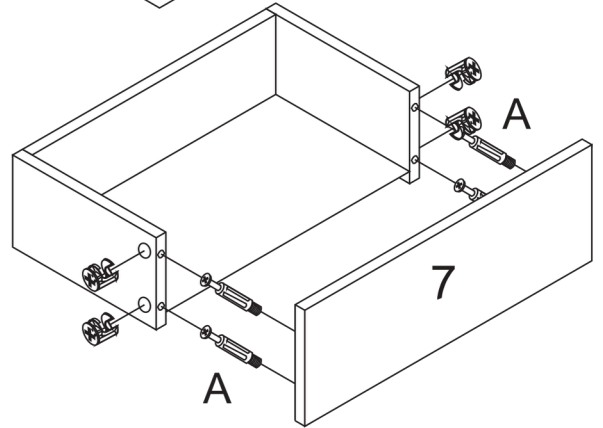
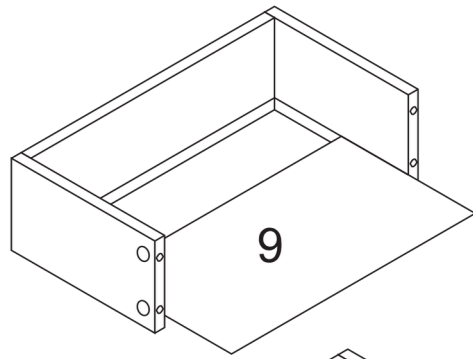
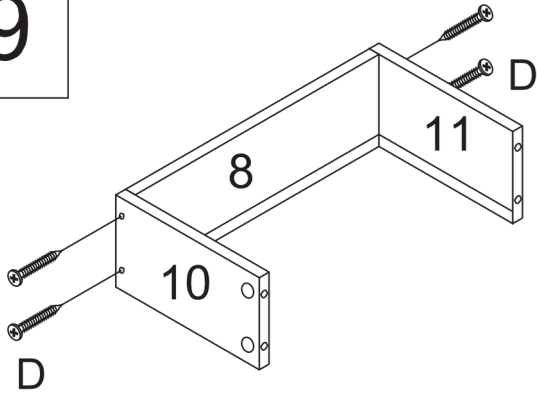
7



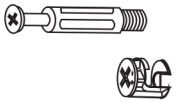
8



9



A



x8

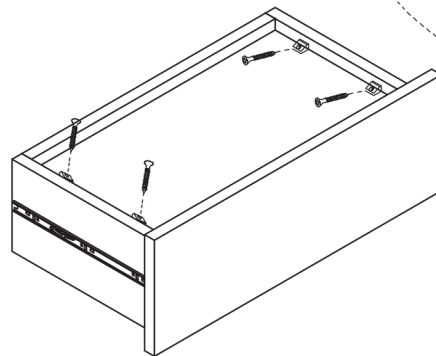
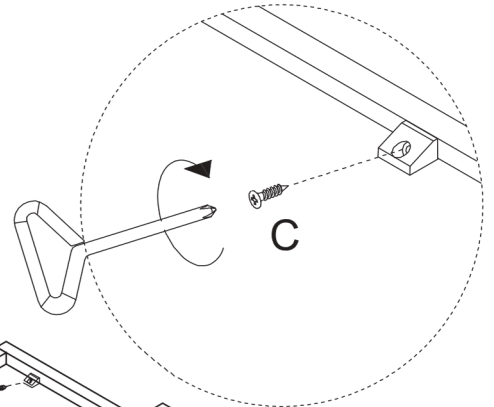
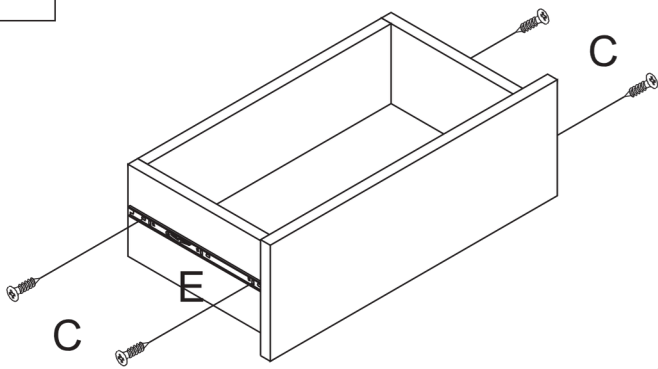
D



x8

x2

10



C



x16

E



x4

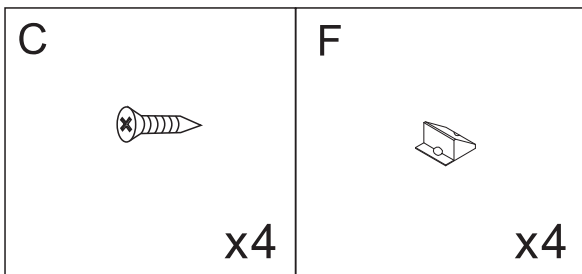
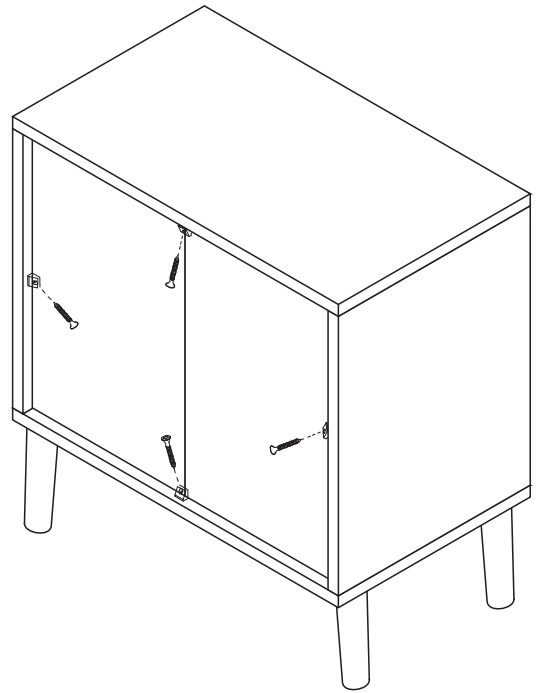
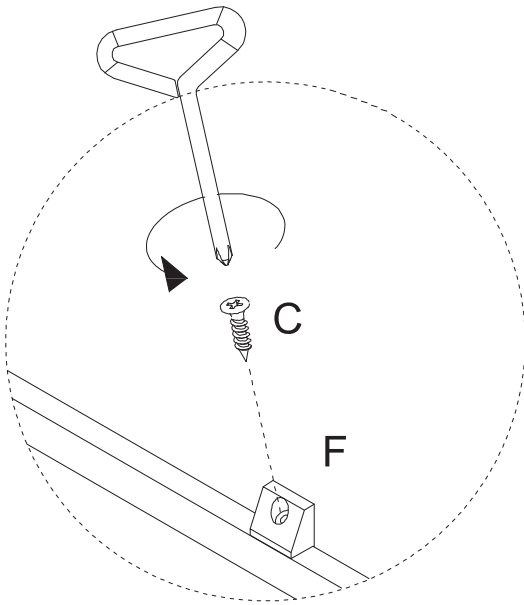
F



x8

x2

11



12

